



PARTS CATALOGUE

EF2800i (7VUD) AUSTRALIA



1S7VU-700E1

()

EF2800i
PARTS CATALOGUE
©2023 by Yamaha Motor Co., Ltd.
1st edition, April 2023
All rights reserved.
Any reprinting or unauthorized use
without the written permission of
Yamaha Motor Co., Ltd.
is expressly prohibited.
Printed in Japan.

FOREWORD

This Parts Catalogue is related to the parts for the model(s) on the cover page. When you are ordering replacement parts, please refer to this Parts Catalogue and quote both part numbers and part names correctly.

1. Modifications or additions which have been made after the issue of the Parts Catalogue will be announced in the Parts News.
It is advisable that you make the necessary corrections to the Parts Catalogue according to the Parts News.

2. Abbreviations

The following abbreviations are used in this Parts Catalogue.

“UR” Use specified parts number.

“UN” Use as many as needed.

“AP” Alternate Parts

“LM” Locally Made (Parts need to be ordered locally)

“F#” Frame No. (Applicable machine No.)

“O/S” Over Size

3. The number of components for assembly

- Parts, which are to be supplied in an assembly, are listed with a dot (.) in front of the part name as shown below.
- The numeral appearing to the right of each component part indicates the quantity of parts for each assembly unit.

PART NO.	DESCRIPTION	Q'TY	REMARKS
2F5-83310-60	FRONT FLASHER LIGHT ASSY	2	
115-83311-60	.BULB (6V-18W)	1	

4. Applicable colours of graphics are represented in the “REMARKS” as shown below.

PART NO.	DESCRIPTION	Q'TY	REMARKS
2N4-24110-00-X5	FUEL TANK COMP.	2	MXR
3J1-24240-10	.GRAPHIC, FUEL TANK	1	FOR MXR

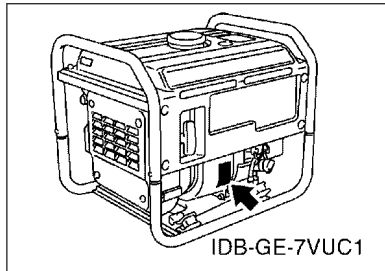
5. Note that the illustrations for reference in finding parts numbers are not to be used for assembling. When assembling, please use the applicable service manual.

6. The asterisk (*) before a reference number indicates modified items after the first edition.

FOREWORD

7. Applicable Serial No.

Frame Serial No.



8. Applicable Colour Code (The (*) mark shows Model colour.)

Abbreviation	Colour Name	Colour Code
PBS3(*)	PURPLISH BLUE SOLID 3	0714

9. Applicable Starting Serial No.

*****Serial NO.

Model	Model Code	Destination	Voltage	Serial NO.
EF2800i	7VUD	AUSTRALIA	230V-50Hz	7VU-1460101

CONTENTS

CYLINDER.....	1
CRANKSHAFT & PISTON.....	2
CAMSHAFT & VALVE.....	3
AIR SHROUD & STARTER.....	4
INTAKE.....	5
CARBURETOR.....	6
EXHAUST.....	7
CRANKCASE.....	8
FRAME.....	9
FUEL TANK.....	10
MAGNETO.....	11
GENERATOR.....	12
CONTROL BOX.....	13
LABELS.....	15

INDEX

NUMERICAL INDEX.....	16
----------------------	----

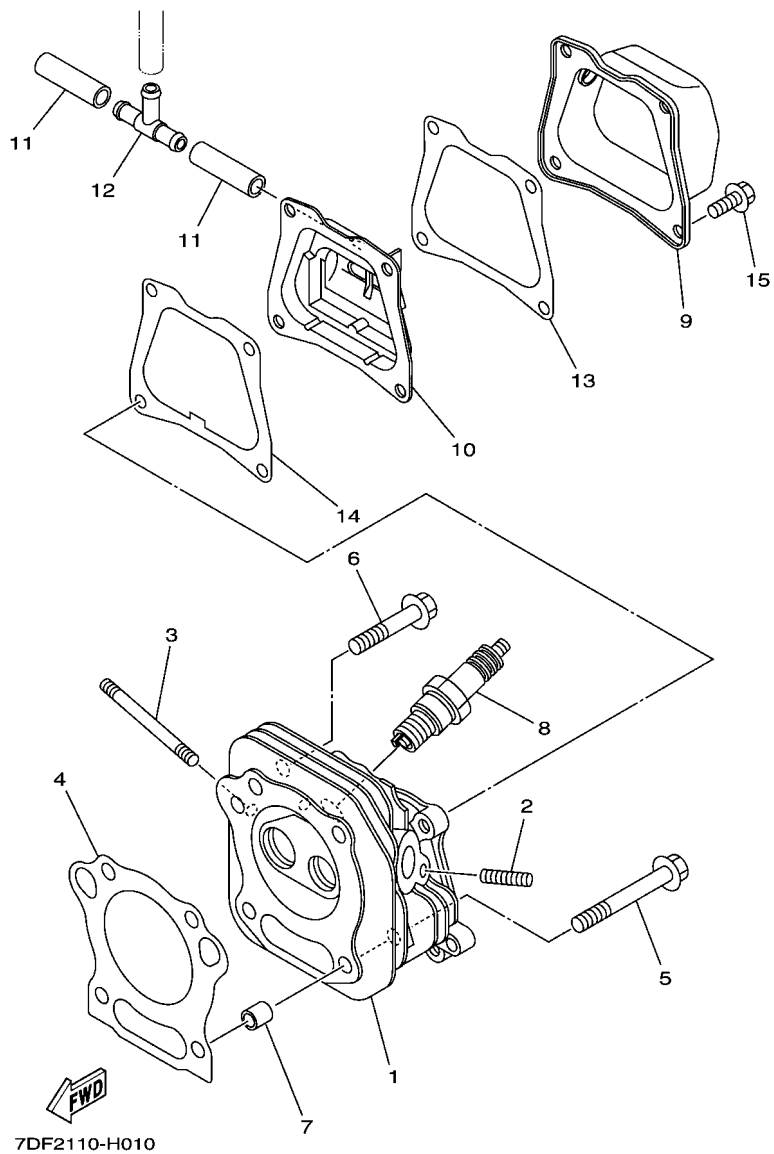
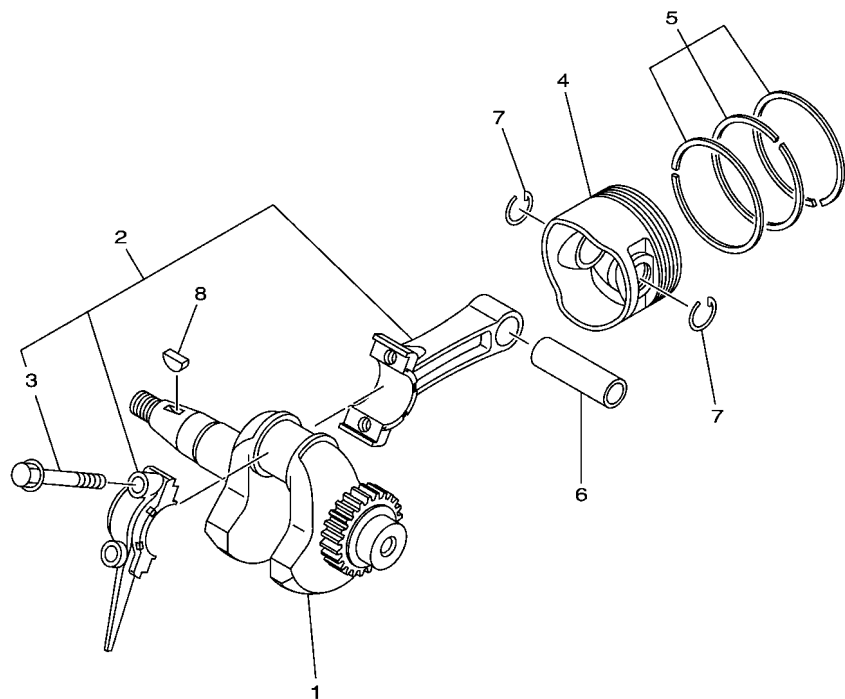


FIG. 1 CYLINDER

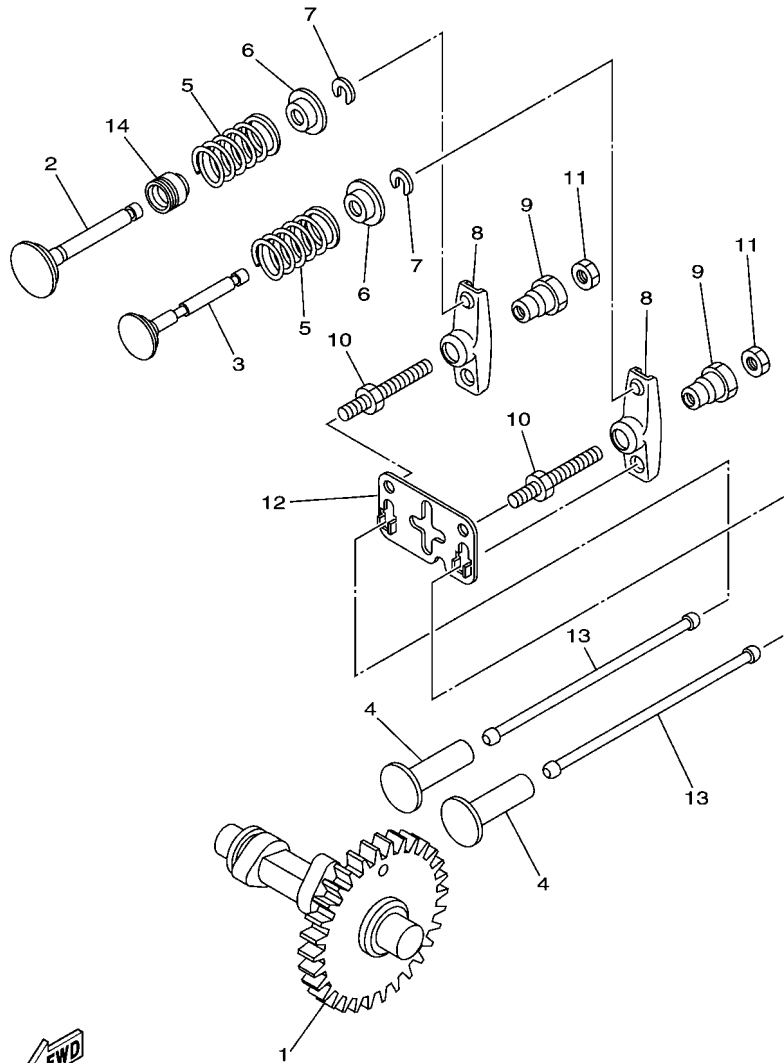
REF. NO.	PART NO.	DESCRIPTION	7VUD	REMARKS
1	7CN-E1111-01	HEAD, CYLINDER 1	1	
2	95602-06615	BOLT, STUD	2	
3	7CN-E1179-00	BOLT, STUD	2	
4	7CN-E1181-01	GASKET, CYLINDER HEAD 1	1	
5	95822-08065	BOLT, FLANGE	2	
6	95822-08045	BOLT, FLANGE	2	
7	99530-10114	PIN, DOWEL	2	
8	94702-00331	PLUG, SPARK (NGK BPR4ES)	1	
9	7CN-E1191-00	COVER, CYLINDER HEAD 1	1	
10	7CN-E1160-00	BREATHER ASSY	1	
11	7CN-E1166-00	PIPE, BREATHER 1	2	
12	7CN-E440B-00	JOINT ASSY	1	
13	7CN-E1169-02	GASKET, BREATHER COVER	1	
14	7CN-E1193-00	GASKET, HEAD COVER 1	1	
15	95822-06012	BOLT, FLANGE	4	

FIG. 2 CRANKSHAFT & PISTON



REF. NO.	PART NO.	DESCRIPTION	7VUD				REMARKS
1	7CN-E1400-80	CRANKSHAFT ASSY	1				
2	7CN-E1650-11	CONNECTING ROD ASSY	1				
3	7CN-E1654-00	.BOLT, CONNECTING ROD	2				
4	7CN-E1631-10-A0	PISTON (STD)	1				
	7CN-E1635-00	PISTON (0.25MM O/S)	1				AP
	7CN-E1636-00	PISTON (0.50MM O/S)	1				AP
5	7CN-E1610-00	PISTON RING SET (STD)	1				
	7CN-E1610-10	PISTON RING SET (0.25MM O/S)	1				AP
	7CN-E1610-20	PISTON RING SET (0.50MM O/S)	1				AP
6	7CN-E1633-00	PIN, PISTON	1				
7	93450-17828	CIRCLIP	2				
8	90280-04801	KEY, WOODRUFF	1				


7VUG171-L020

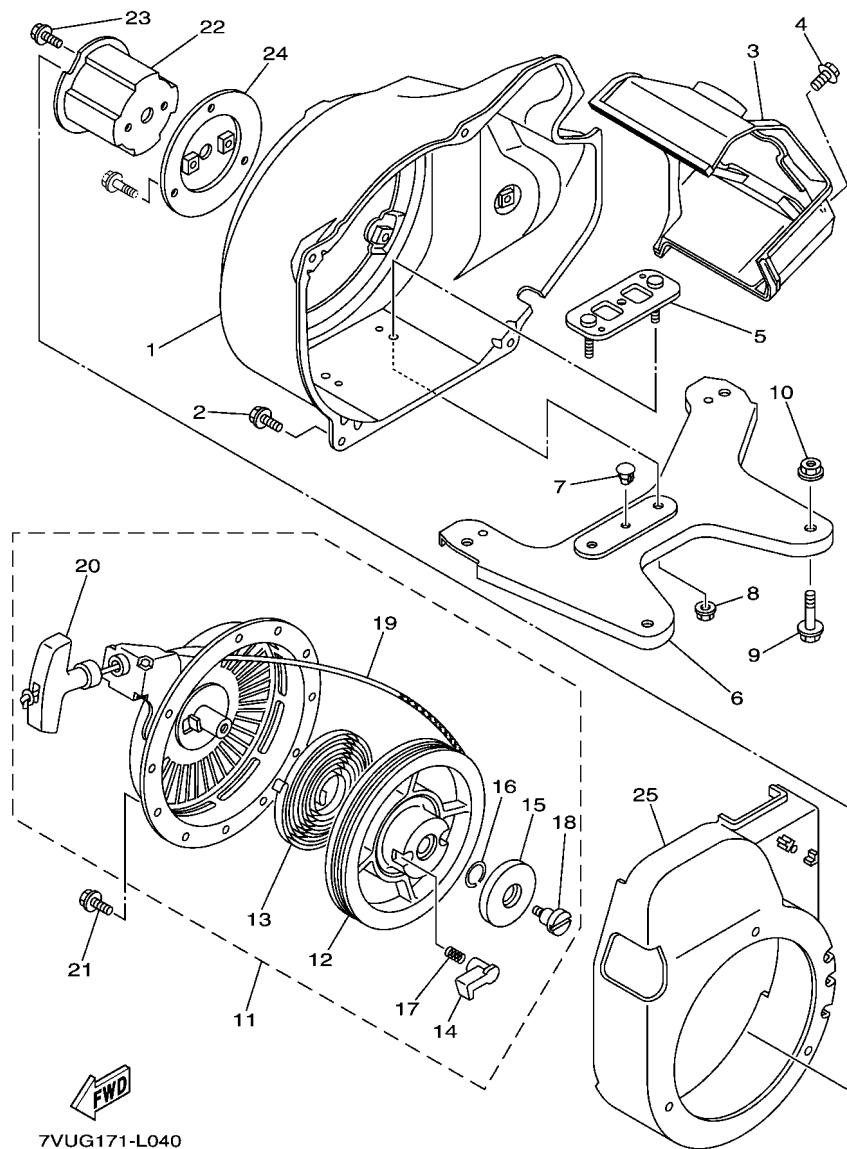



 7VUG110-K030

FIG. 3 CAMSHAFT & VALVE

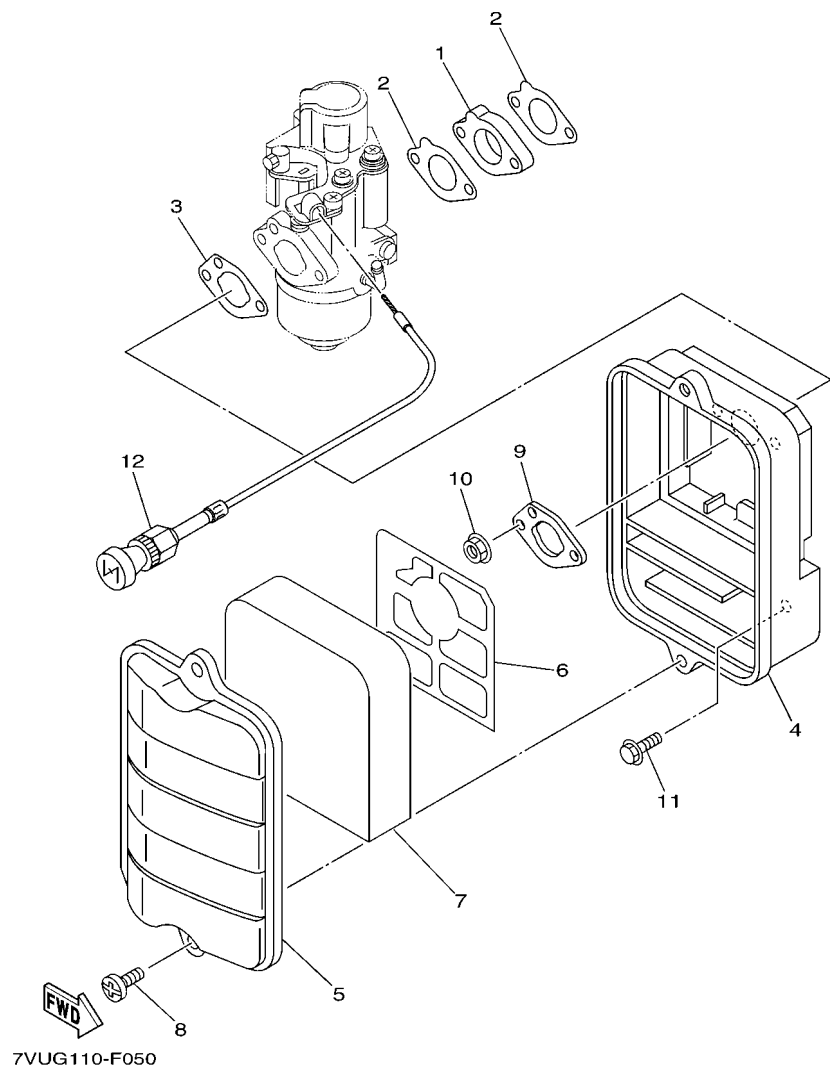
REF. NO.	PART NO.	DESCRIPTION	7VUD				REMARKS
1	7CN-E2170-00	CAMSHAFT ASSY 1	1				
2	7CN-E2111-00	VALVE, INTAKE	1				
3	7CN-E2121-00	VALVE, EXHAUST	1				
4	7CN-E2153-00	LIFTER, VALVE	2				
5	90501-20800	SPRING, COMPRESSION	2				
6	7CN-E2117-00	RETAINER, VALVE SPRING	2				
7	7CN-E2118-00	LOCK, VALVE SPRING RETAINER	2				
8	7CN-E2151-00	ARM, VALVE ROCKER	2				
9	7CN-E2165-00	PIVOT, ROCKER ARM	2				
10	7CN-E2157-01	BOLT	2				
11	7CN-E2158-01	NUT, LOCK	2				
12	7CN-E2155-01	GUIDE, PUSH ROD	1				
13	7CN-E2154-00	ROD, VALVE PUSH	2				
14	7DH-E2119-01	SEAL, VALVE STEM	1				

FIG. 4 AIR SHROUD & STARTER



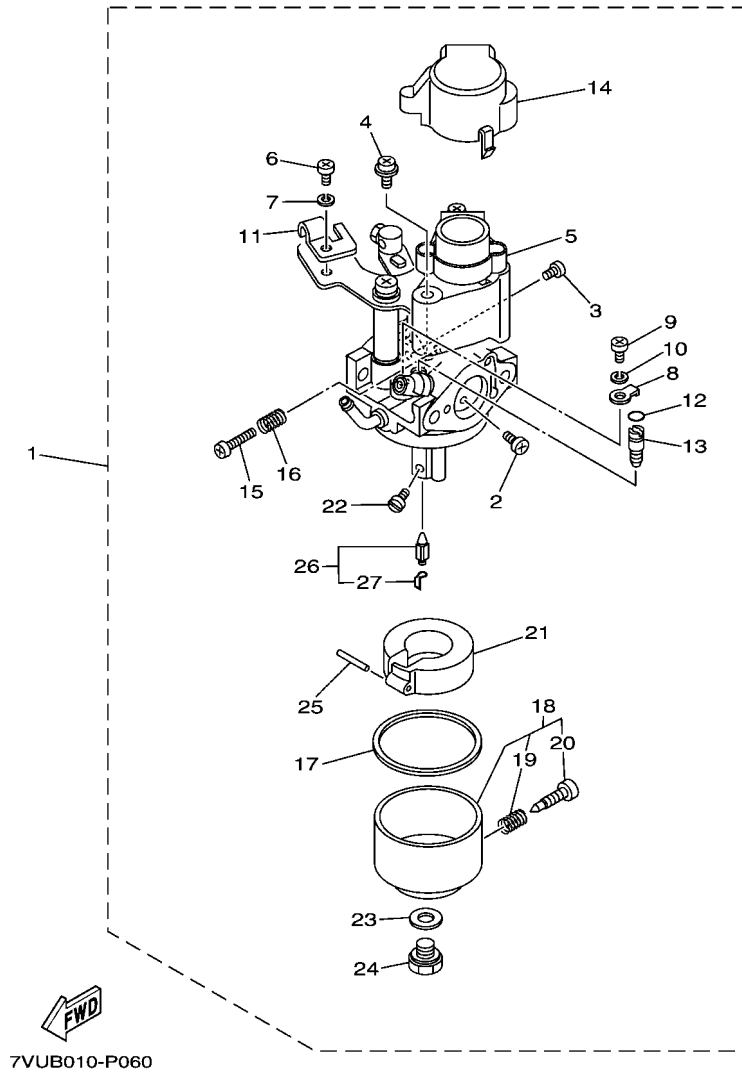
REF. NO.	PART NO.	DESCRIPTION	7VUD				REMARKS
1	7VU-12621-00	CASE, FAN	1				
2	95807-06012	BOLT, FLANGE	4				
3	7CN-E2651-01	AIR SHROUD, CYLINDER 1	1				
4	95822-06012	BOLT, FLANGE	1				
5	7VU-12633-00	PLATE	1				
6	7VU-11011-01	BRACKET, ENGINE 1	1				
7	90269-07003	RIVET	1				
8	95707-06500	NUT, FLANGE	2				
9	95807-08030	BOLT, FLANGE	2				
10	95707-08500	NUT, FLANGE	2				
11	7VU-15710-00	STARTER ASSY	1				
12	7VU-15714-00	.DRUM, SHEAVE	1				
13	7TA-15713-00	.SPRING, STARTER	1				
14	JL8-15741-00	.PAWL, DRIVE	2				
15	7VU-15716-00	.PLATE, DRIVE	1				
16	7TA-15715-00	.SPRING, FRICTION	1				
17	JK4-15743-00	.SPRING, RETURN	2				
18	7NJ-15793-00	.SCREW	1				
19	7VU-15751-00	.WIRE, STARTER	1				
20	7TA-15755-00	.HANDLE, STARTER	1				
21	95807-06016	BOLT, FLANGE	3				
22	7VU-15723-00	PULLEY, STARTER	1				
23	95807-06008	BOLT, FLANGE	2				
24	7VU-15724-00	SPACER	1				
25	7VU-12616-00	COVER, FAN CASE	1				

FIG. 5 INTAKE



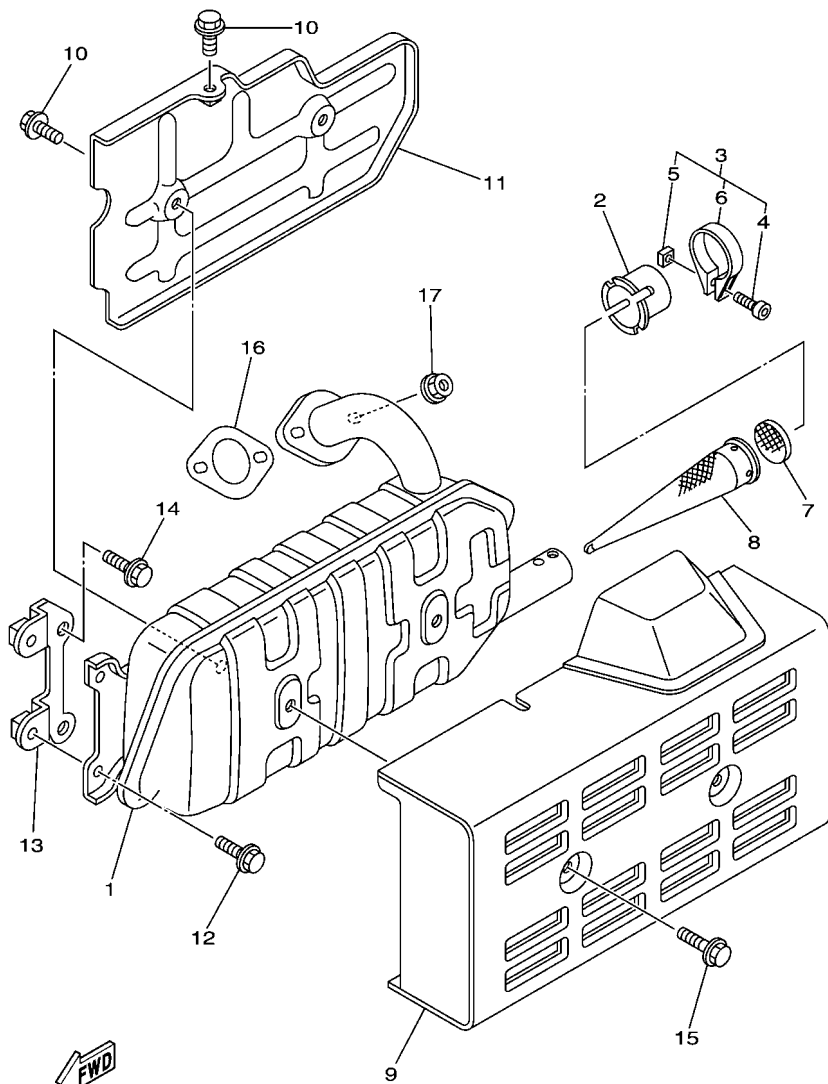
REF. NO.	PART NO.	DESCRIPTION	7VUD				REMARKS
1	7CN-E3596-10	JOINT, CARBURETOR 2	1				
2	7CN-E3557-12	GASKET	2				
3	7CN-E3567-12	GASKET	1				
4	7CN-E4411-40	CASE, AIR CLEANER 1	1				
5	7CN-E4412-00	CAP, CLEANER CASE 1	1				
6	7CN-E4468-01	PLATE,ELEMENT FITTING	1				
7	7CN-E4451-00	ELEMENT, AIR CLEANER	1				
8	90154-06823	SCREW, BINDING	2				
9	7CN-E4477-20	PLATE	1				
10	95707-06500	NUT, FLANGE	2				
11	95807-06016	BOLT, FLANGE	1				
12	7VU-26331-00	CABLE, STARTER 1	1				

FIG. 6 CARBURETOR



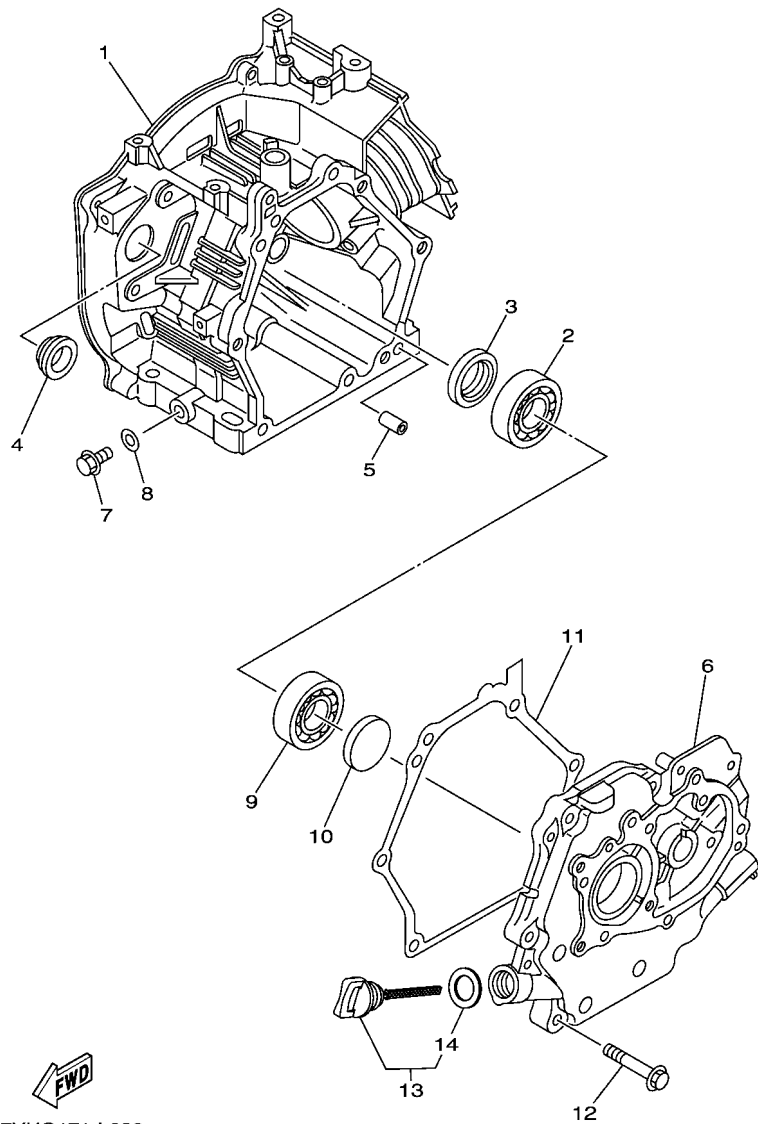
REF. NO.	PART NO.	DESCRIPTION	7VUD				REMARKS
1	7VU-14101-23	CARBURETOR ASSY 1	1				
2	7RH-14216-00	.SCREW	2				
3	7RH-14486-00	.SCREW, ROD	2				
4	4SV-24453-00	.SCREW	1				
5	7VU-81802-19	.MOTOR UNIT ASSY.	1				
6	98502-05008	.SCREW, PAN HEAD	1				
7	92902-05100	.WASHER, SPRING	1				
8	7CU-E4527-00	.PLATE	1				
9	98507-05008	.SCREW, PAN HEAD	1				
10	92990-05100	.WASHER, SPRING	1				
11	J45-14243-00	.PLATE	1				
12	2H0-14147-00	.O-RING	1				
13	7CU-E414J-16-A0	.JET, PILOT (#41.3)	1				
14	7VU-14293-00	.COVER 1	1				
15	1WG-14922-00	.SCREW, THROTTLE	1				
16	73A-14212-00	.SPRING	1				
17	7CN-E4997-00	.SEAL	1				
18	7EG-14181-00	.BODY, FLOAT CHAMBER 1	1				
19	73A-14212-00	..SPRING	1				
20	7E1-14191-00	..PLUG, DRAIN	1				
21	7EG-14185-00	.FLOAT	1				
22	1HX-1423E-36-A0	.JET, MAIN (#91.3)	1				
23	7G0-14227-00	.WASHER	1				
24	7CN-E4162-00	.BOLT, HOLDING	1				
25	7CN-E4186-00	.PIN, FLOAT	1				
26	7LG-14150-11	.NEEDLE ASSY	1				
27	7EG-14159-00	..CLIP	1				

FIG. 7 EXHAUST



7VUG110-M070

REF. NO.	PART NO.	DESCRIPTION	7VUD				REMARKS
1	7VU-E4711-10	MUFFLER 1	1				
2	7CA-E4799-00	CAP	1				
3	7DX-E4788-00	BAND, SILENCER	1				
4	7DX-E4777-00	.BOLT	1				
5	7DX-E4775-00	.NUT	1				
6	7DX-E477R-00	.BAND 1	1				
7	7CA-E479E-00	NET, WIRE 2	1				
8	7CA-E4786-00	ARRESTER, SPARK	1				
9	7VU-E4718-00	PROTECTOR, MUFFLER 1	1				
10	95822-06008	BOLT, FLANGE	3				
11	7VU-E4728-00	PROTECTOR, MUFFLER 2	1				
12	95822-06008	BOLT, FLANGE	2				
13	7VU-E4781-00	STAY, MUFFLER 2	1				
14	95822-08012	BOLT, FLANGE	2				
15	95822-06008	BOLT, FLANGE	2				
16	7CN-E4613-00	GASKET, EXHAUST PIPE	1				
17	95302-06600	NUT, HEXAGON	2				

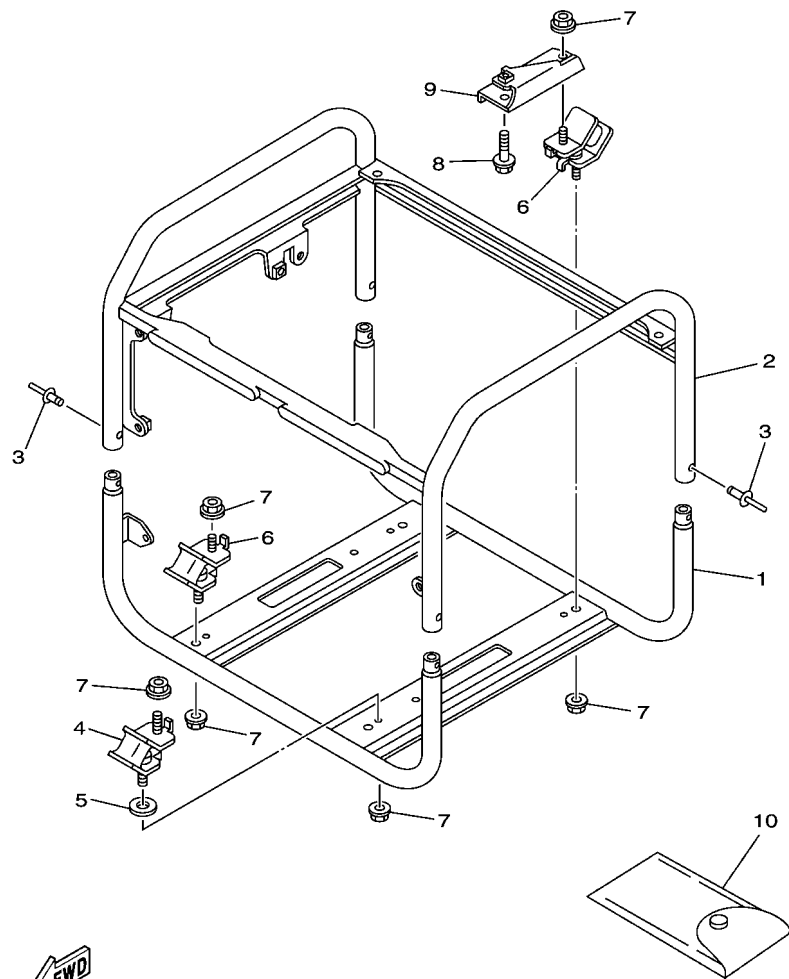


7VUG171-L080

FIG. 8 CRANKCASE

REF. NO.	PART NO.	DESCRIPTION	7VUD				REMARKS
1	7CN-E5111-40	CRANKCASE 1	1				
2	93306-205XE	BEARING	1				
3	93102-25806	OIL SEAL	1				
4	90480-26602	GROMMET	1				
5	99530-08016	PIN, DOWEL	2				
6	7CN-E5411-60	COVER, CRANKCASE 1	1				
7	95022-10016	BOLT, FLANGE	1				
8	90430-10801	GASKET	1				
9	93306-205XE	BEARING	1				
10	7CN-E5189-00	PLUG	1				
11	7CN-E5451-10	GASKET, CRANKCASE COVER 1	1				
12	95822-08035	BOLT, FLANGE	6				
13	7BX-E536A-00	PLUG, OIL LEVEL	1				
14	90430-17801	.GASKET	1				

FIG. 9 FRAME




7VUD700-S090

REF. NO.	PART NO.	DESCRIPTION	7VUD				REMARKS
1	7VU-22840-01	FRAME COMP.	1				
2	7VU-22850-00	FRAME COMP. 2	1				
3	90267-48N00	RIVET, BLIND	4				
4	7VU-22891-00	INSULATOR, MOUNTING	1				
5	90201-086A3	WASHER, PLATE	1				
6	7VU-22894-00	INSULATOR, MOUNTING 2	3				
7	95707-08500	NUT, FLANGE	8				
8	95807-08030	BOLT, FLANGE	1				
9	7VU-11012-02	BRACKET, ENGINE 2	1				
10	7VU-28100-00	TOOL KIT	1				

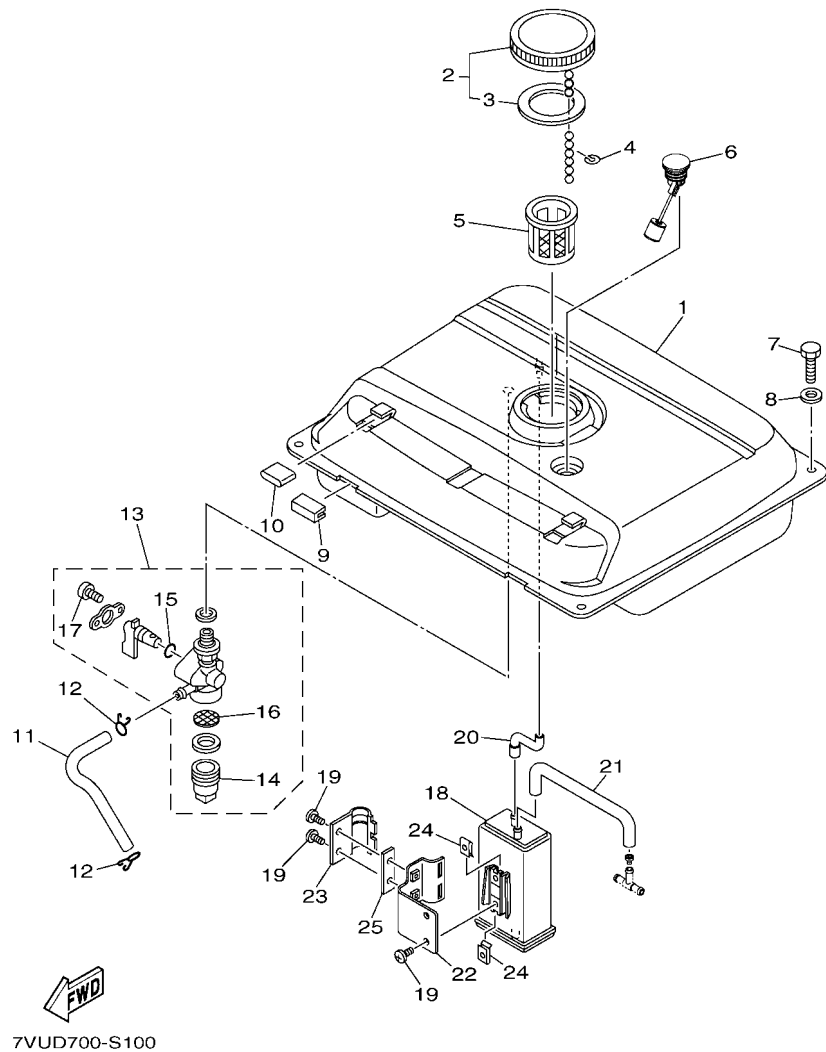
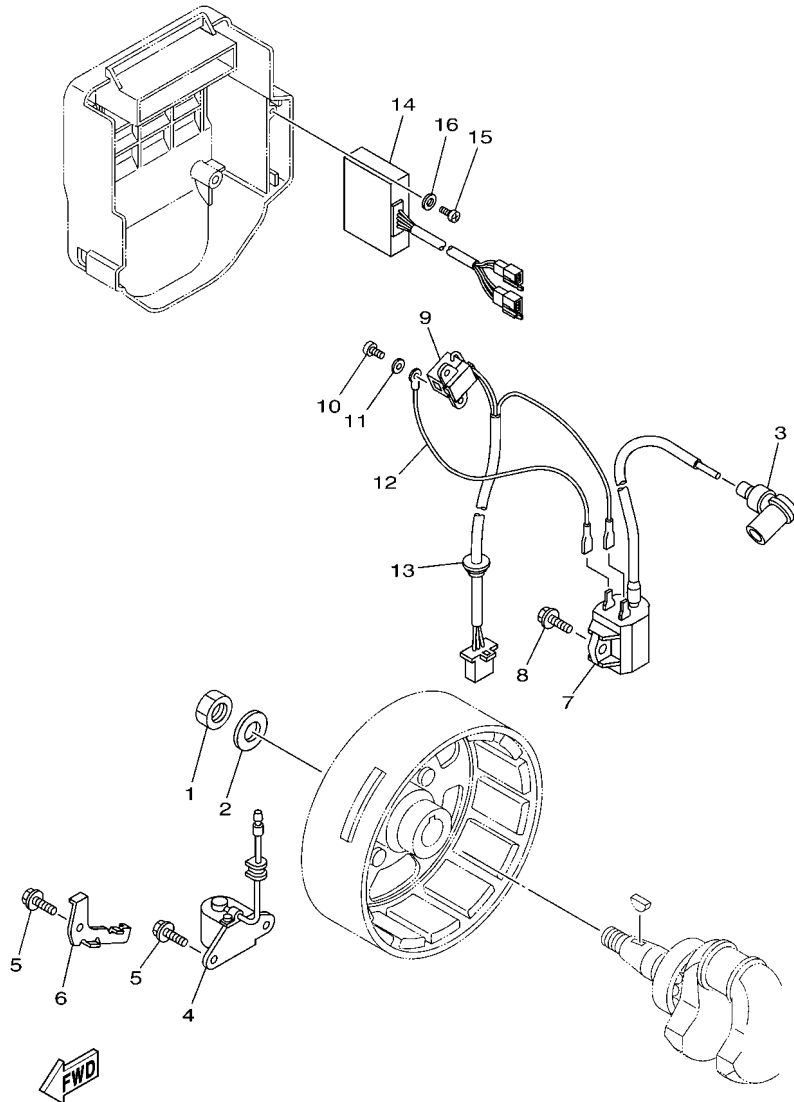


FIG. 10 FUEL TANK

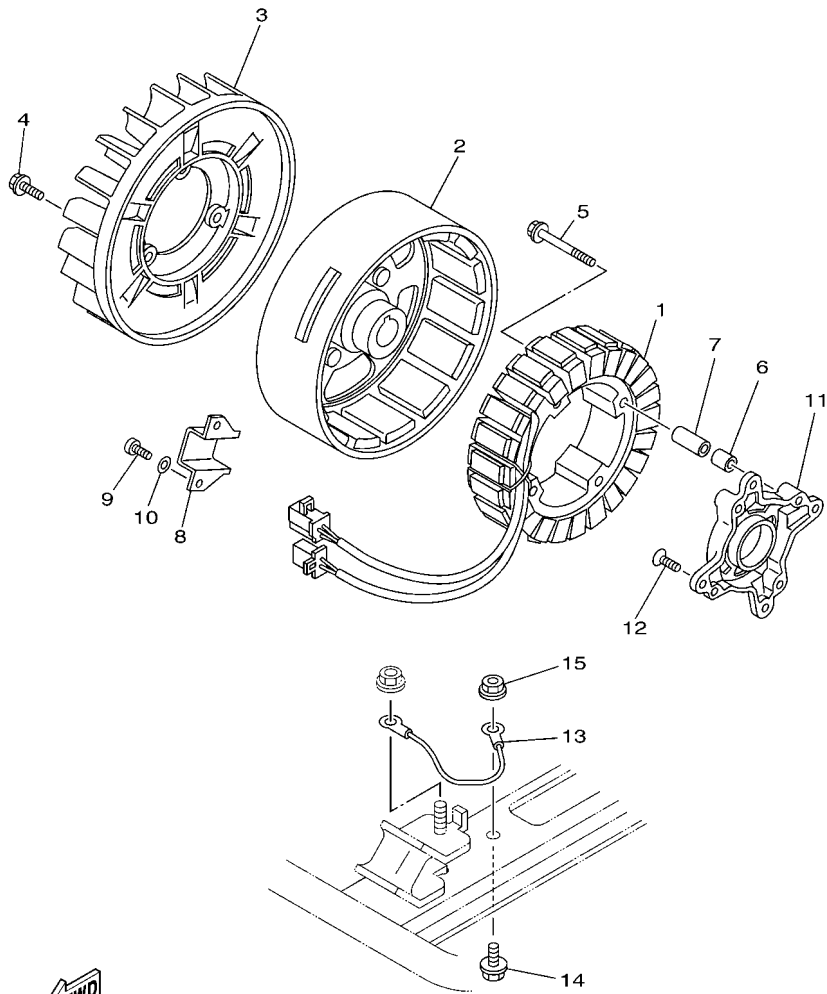
REF. NO.	PART NO.	DESCRIPTION	7VUD				REMARKS
1	7VU-24110-12-P0	FUEL TANK COMP.	1				FOR PBS3
2	7CH-24610-C0	CAP ASSY	1				
3	7CH-24612-C0	.PACKING, CAP	1				
4	7CH-21757-C0	WASHER, SPECIAL 1	1				
5	630-24167-00	STRAINER	1				
6	7CH-85710-C0	FUEL LEVEL GAUGE ASSY	1				
7	97007-06012	BOLT	2				
8	90201-06380	WASHER PLAIN	2				
9	7LG-24181-00	DAMPER, LOCATING 1	2				
10	2E9-24182-00	DAMPER, LOCATING 2	2				
11	7VU-24311-20	PIPE, FUEL 1	1				
12	90467-09006	CLIP	2				
13	7RA-24500-02	FUEL COCK ASSY 1	1				
14	7J3-24521-00	.CUP, FILTER	1				
15	7NJ-24534-00	.SEAL, COCK	1				
16	7NJ-24515-01	.NET, FILTER 2	1				
17	98507-03008	.SCREW, PAN HEAD	2				
18	7CH-24170-20	CANISTER ASSY	1				
19	98907-06012	SCREW, BIND	4				
20	7VU-24312-00	PIPE 2	1				
21	7VU-24313-01	PIPE 3	1				
22	7VU-2419F-00	BRACKET, CANISTOR	1				
23	7VU-24718-00	BRACKET, SEAT	1				
24	90183-060A1	NUT, SPRING	2				
25	7VU-13631-00	SEAL, RUBBER 1	1				



7VUB010-D110

FIG. 11 MAGNETO

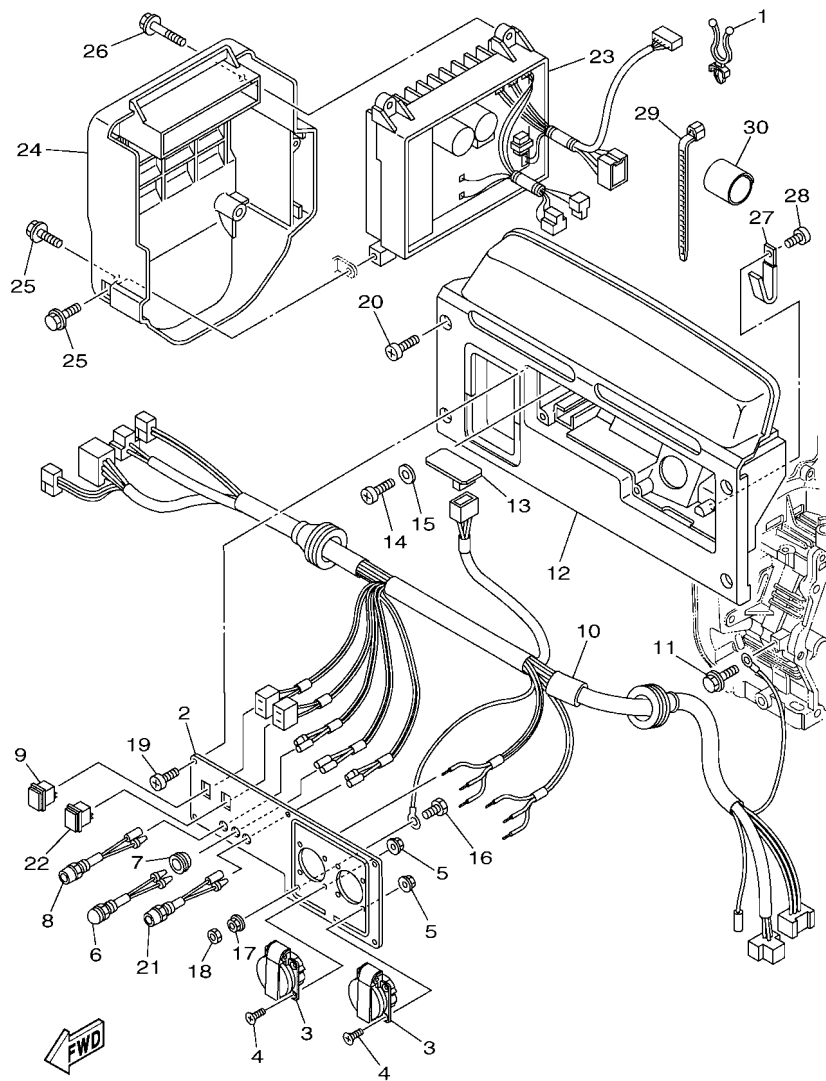
REF. NO.	PART NO.	DESCRIPTION	7VUD				REMARKS
1	90170-14403	NUT	1				
2	92907-14200	WASHER	1				
3	7VU-82370-00	PLUG CAP ASSY	1				
4	7CN-H5720-00	OIL LEVEL GAUGE ASSY	1				
5	95822-06012	BOLT, FLANGE	3				
6	7CN-H5724-00	CLAMP	1				
7	7VU-82310-00	IGNITION COIL ASSY	1				
8	95807-06020	BOLT, FLANGE	1				
9	7VU-85595-00	COIL, PULSER	1				
10	98507-05010	SCREW, PAN HEAD	2				
11	92907-05600	WASHER, PLATE	2				
12	7VU-82318-00	WIRE, SUB-LEAD	1				
13	90480-12013	GROMMET	1				
14	7VU-85540-22	C.D.I. UNIT ASSY	1				
15	97707-50612	SCREW, TAPPING	1				
16	90201-05032	WASHER, PLATE	1				



7VUB010-D120

FIG. 12 GENERATOR

REF. NO.	PART NO.	DESCRIPTION	7VUD				REMARKS
1	7VU-87150-21	STATOR ASSY	1				
2	7VU-87160-01	ROTOR ASSY	1				
3	7VU-87172-00	FAN, GENERATOR	1				
4	95807-06016	BOLT, FLANGE	3				
5	95827-06045	BOLT, FLANGE	4				
6	99530-08012	PIN, DOWEL	2				
7	7VU-8719F-01	TUBE 7	2				
8	7VU-83595-00	CLAMP	1				
9	98507-05010	SCREW, PAN HEAD	2				
10	92907-05600	WASHER, PLATE	2				
11	7VU-87181-01	BRKT., GENERATOR MOUNT	1				
12	98707-06016	SCREW, FLAT HEAD	4				
13	7VU-87139-00	LEAD WIRE ASSY 2	1				
14	95880-06010	BOLT, FLANGE	1				
15	95780-06500	NUT, FLANGE	1				

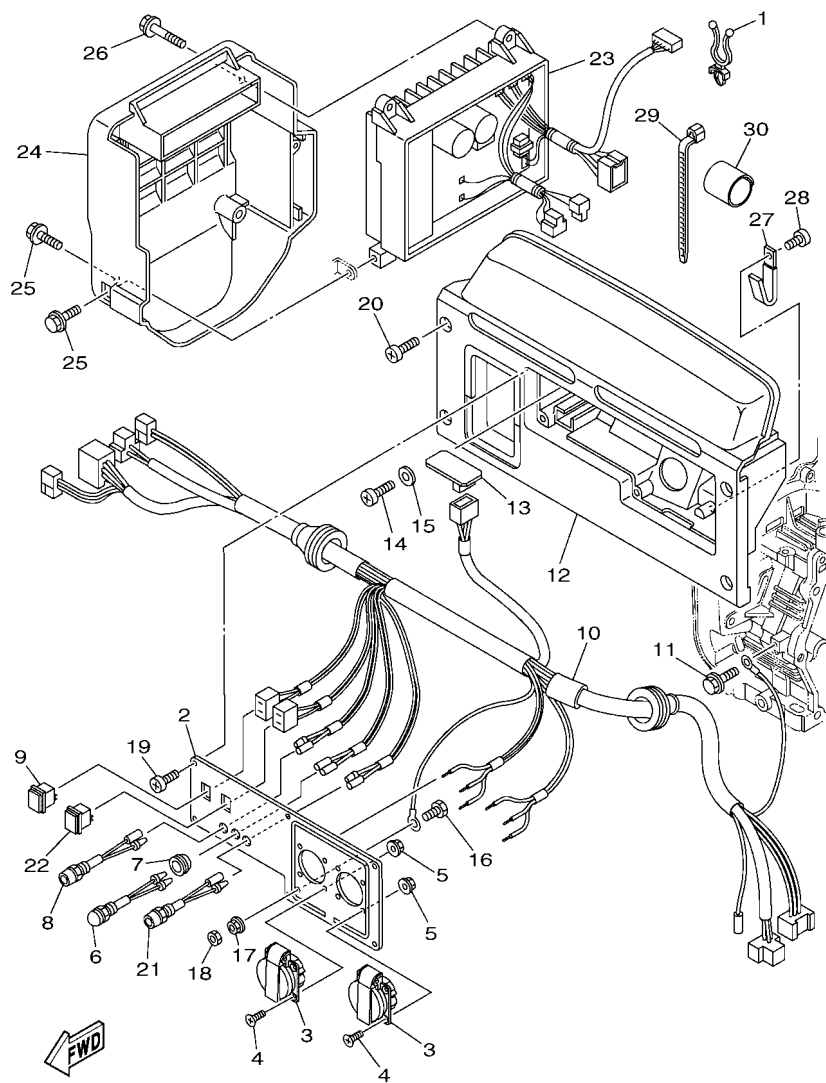


7VUD700-S130

FIG. 13 CONTROL BOX

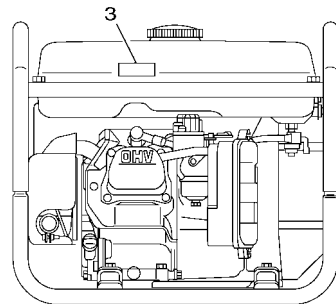
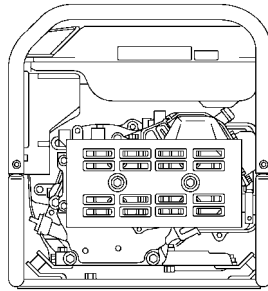
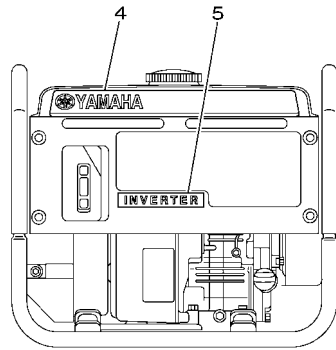
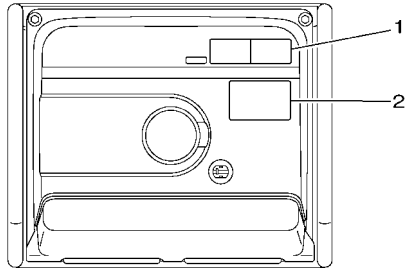
REF. NO.	PART NO.	DESCRIPTION	7VUD				REMARKS
1	90464-12M35	CLAMP	1				
2	7VU-87249-N0	PLATE	1				
3	7CK-87221-90	RECEPTACLE 1 (S230E-7-4)	2				KEDU
4	90151-03032	SCREW, COUNTERSUNK	8				
5	90179-03478	NUT	8				
6	7CH-83530-G0	PILOT LIGHT ASSY	1				
7	90480-13012	GROMMET	1				
8	7NJ-85770-00	OIL PILOT LIGHT ASSY	1				
9	7NJ-82550-00	ENGINE STOP SWITCH ASSY	1				
10	7VU-87226-N2	WIRE HARNESS ASSY	1				
11	95807-06010	BOLT, FLANGE	1				
12	7VU-87213-01	COVER, CONTROL BOX	1				
13	7VU-85690-01	OIL WARNING UNIT	1				
14	97707-30512	SCREW, TAPPING	1				
15	90201-03013	WASHER, PLATE	1				
16	97080-05016	BOLT	1				
17	95707-05500	NUT, FLANGE	1				
18	95380-05700	NUT	1				
19	97707-40516	SCREW, TAPPING	6				
20	98907-06014	SCREW, BIND	4				
21	7CH-83582-C1	PILOT LIGHT ASSY	1				
22	7NJ-82550-00	ENGINE STOP SWITCH ASSY	1				
23	7VU-8A210-B3	CONTROL UNIT	1				
24	7VU-8721G-00	COVER, CONTROL BOX 2	1				
25	95827-06012	BOLT, FLANGE	3				
26	95827-06025	BOLT, FLANGE	2				
27	90462-05059	CLAMP	1				

FIG. 13 CONTROL BOX



7VUD700-S130

REF. NO.	PART NO.	DESCRIPTION	7VUD			REMARKS
28	97707-60512	SCREW, TAPPING	1			
29	90464-13073	CLAMP	1			(125.0x7.0)
30	7VU-88179-00	SHEET	1			



7VUD700-S140

FIG. 14 LABELS

REF. NO.	PART NO.	DESCRIPTION	7VUD				REMARKS
1	7TA-24162-10	EMBLEM 2 (WARNING)	1				
2	7DK-24877-00	LABEL, CAUTION	1				
3	7CH-21696-20	LABEL, CAUTION (SPECIFIED PLUG	1				
4	7VU-24161-10	EMBLEM 1 (YAMAHA)	1				
5	7VU-24164-00	EMBLEM 4 (INVERTER)	1				

NUMERICAL INDEX

PART NO.	REF. NO.	PART NO.	REF. NO.	PART NO.	REF. NO.	PART NO.	REF. NO.	PART NO.	REF. NO.	PART NO.	REF. NO.
7VU-11011-01	4 - 6	7VU-2419F-00	10 - 22	7CN-E1191-00	1 - 9	7DX-E4788-00	7 - 3	95707-06500	4 - 8		
7VU-11012-02	9 - 9	7VU-24311-20	10 - 11	7CN-E1193-00	1 - 14	7CA-E4799-00	7 - 2		5 - 10		
7VU-12616-00	4 - 25	7VU-24312-00	10 - 20	7CN-E1400-80	2 - 1	7CA-E479E-00	7 - 7	95707-08500	4 - 10		
7VU-12621-00	4 - 1	7VU-24313-01	10 - 21	7CN-E1610-00	2 - 5	7CN-E4997-00	6 - 17		9 - 7		
7VU-12633-00	4 - 5	4SV-24453-00	6 - 4	7CN-E1610-10	2 - 5	7CN-E5111-40	8 - 1	95780-06500	12 - 15		
7VU-13631-00	10 - 25	7RA-24500-02	10 - 13	7CN-E1610-20	2 - 5	7CN-E5189-00	8 - 10	95807-06008	4 - 23		
7VU-14101-23	6 - 1	7NJ-24515-01	10 - 16	7CN-E1631-10-A0	2 - 4	7BX-E536A-00	8 - 13	95807-06010	13 - 11		
2H0-14147-00	6 - 12	7J3-24521-00	10 - 14	7CN-E1633-00	2 - 6	7CN-E5411-60	8 - 6	95807-06012	4 - 2		
7LG-14150-11	6 - 26	7NJ-24534-00	10 - 15	7CN-E1635-00	2 - 4	7CN-E5451-10	8 - 11	95807-06016	4 - 21		
7EG-14159-00	6 - 27	7CH-24610-C0	10 - 2	7CN-E1636-00	2 - 4	7CN-H5720-00	11 - 4		5 - 11		
7EG-14181-00	6 - 18	7CH-24612-C0	10 - 3	7CN-E1650-11	2 - 2	7CN-H5724-00	11 - 6		12 - 4		
7EG-14185-00	6 - 21	7VU-24718-00	10 - 23	7CN-E1654-00	2 - 3	90151-03032	13 - 4	95807-06020	11 - 8		
7E1-14191-00	6 - 20	7DK-24877-00	14 - 2	7CN-E2111-00	3 - 2	90154-06823	5 - 8	95807-08030	4 - 9		
73A-14212-00	6 - 16	7VU-26331-00	5 - 12	7CN-E2117-00	3 - 6	90170-14403	11 - 1		9 - 8		
		7VU-28100-00	9 - 10	7CN-E2118-00	3 - 7	90179-03478	13 - 5	95822-06008	7 - 10		
7RH-14216-00	6 - 2	7VU-81802-19	6 - 5	7DH-E2119-01	3 - 14	90183-060A1	10 - 24		7 - 12		
7G0-14227-00	6 - 23	7VU-82310-00	11 - 7	7CN-E2121-00	3 - 3	90201-03013	13 - 15		7 - 15		
1HX-1423E-36-A0	6 - 22	7VU-82318-00	11 - 12	7CN-E2151-00	3 - 8	90201-05032	11 - 16	95822-06012	1 - 15		
J45-14243-00	6 - 11	7VU-82370-00	11 - 3	7CN-E2153-00	3 - 4	90201-06380	10 - 8		4 - 4		
7VU-14293-00	6 - 14	7NJ-82550-00	13 - 9	7CN-E2154-00	3 - 13	90201-086A3	9 - 5		11 - 5		
7RH-14486-00	6 - 3		13 - 22	7CN-E2155-01	3 - 12	90267-48N00	9 - 3	95822-08012	7 - 14		
1WG-14922-00	6 - 15	7CH-83530-G0	13 - 6	7CN-E2157-01	3 - 10	90269-07003	4 - 7	95822-08035	8 - 12		
7VU-15710-00	4 - 11	7CH-83582-C1	13 - 21	7CN-E2158-01	3 - 11	90280-04801	2 - 8	95822-08045	1 - 6		
7TA-15713-00	4 - 13	7VU-83595-00	12 - 8	7CN-E2165-00	3 - 9	90430-10801	8 - 8	95822-08065	1 - 5		
7VU-15714-00	4 - 12	7VU-85540-22	11 - 14	7CN-E2170-00	3 - 1	90430-17801	8 - 14	95827-06012	13 - 25		
7TA-15715-00	4 - 16	7VU-85595-00	11 - 9	7CN-E2651-01	4 - 3	90462-05059	13 - 27	95827-06025	13 - 26		
7VU-15716-00	4 - 15	7VU-85690-01	13 - 13	7CN-E3557-12	5 - 2	90464-12M35	13 - 1	95827-06045	12 - 5		
7VU-15723-00	4 - 22	7CH-85710-C0	10 - 6	7CN-E3567-12	5 - 3	90464-13073	13 - 29	95880-06010	12 - 14		
7VU-15724-00	4 - 24	7NJ-85770-00	13 - 8	7CN-E3596-10	5 - 1	90467-09006	10 - 12	97007-06012	10 - 7		
JL8-15741-00	4 - 14	7VU-87139-00	12 - 13	7CU-E414J-16-A0	6 - 13	90480-12013	11 - 13	97080-05016	13 - 16		
JK4-15743-00	4 - 17	7VU-87150-21	12 - 1	7CN-E4162-00	6 - 24	90480-13012	13 - 7	97707-30512	13 - 14		
7VU-15751-00	4 - 19	7VU-87160-01	12 - 2	7CN-E4186-00	6 - 25	90480-26602	8 - 4	97707-40516	13 - 19		
7TA-15755-00	4 - 20	7VU-87172-00	12 - 3	7CN-E440B-00	1 - 12	90501-20800	3 - 5	97707-50612	11 - 15		
7NJ-15793-00	4 - 18	7VU-87181-01	12 - 11	7CN-E4411-40	5 - 4	92902-05100	6 - 7	97707-60512	13 - 28		
7CH-21696-20	14 - 3	7VU-8719F-01	12 - 7	7CN-E4412-00	5 - 5	92907-05600	11 - 11	98502-05008	6 - 6		
7CH-21757-C0	10 - 4	7VU-87213-01	13 - 12	7CN-E4451-00	5 - 7		12 - 10	98507-03008	10 - 17		
7VU-22840-01	9 - 1	7VU-8721G-00	13 - 24	7CN-E4468-01	5 - 6	92907-14200	11 - 2	98507-05008	6 - 9		
7VU-22850-00	9 - 2	7CK-87221-90	13 - 3	7CN-E4477-20	5 - 9	92990-05100	6 - 10	98507-05010	11 - 10		
7VU-22891-00	9 - 4	7VU-87226-N2	13 - 10	7CU-E4527-00	6 - 8	93102-25806	8 - 3		12 - 9		
7VU-22894-00	9 - 6	7VU-87249-N0	13 - 2	7CN-E4613-00	7 - 16	93306-205XE	8 - 2	98707-06016	12 - 12		
7VU-24110-12-P0	10 - 1	7VU-88179-00	13 - 30	7VU-E4711-10	7 - 1		8 - 9	98907-06012	10 - 19		
7VU-24161-10	14 - 4	7VU-8A210-B3	13 - 23	7VU-E4718-00	7 - 9	93450-17828	2 - 7	98907-06014	13 - 20		
7TA-24162-10	14 - 1	7CN-E1111-01	1 - 1	7VU-E4728-00	7 - 11	94702-00331	1 - 8	99530-08012	12 - 6		
7VU-24164-00	14 - 5	7CN-E1160-00	1 - 10	7DX-E4775-00	7 - 5	95022-10016	8 - 7	99530-08016	8 - 5		
630-24167-00	10 - 5	7CN-E1166-00	1 - 11	7DX-E4777-00	7 - 4	95302-06600	7 - 17	99530-10114	1 - 7		
7CH-24170-20	10 - 18	7CN-E1169-02	1 - 13	7DX-E477R-00	7 - 6	95380-05700	13 - 18				
7LG-24181-00	10 - 9	7CN-E1179-00	1 - 3	7VU-E4781-00	7 - 13	95602-06615	1 - 2				
2E9-24182-00	10 - 10	7CN-E1181-01	1 - 4	7CA-E4786-00	7 - 8	95707-05500	13 - 17				